

PRODUCT: STOVES Sterling 1100E-AU
 COLOUR: Sta
 CODE: **444447974**
 ISSUE: 1
 DATE: 15/07/2006



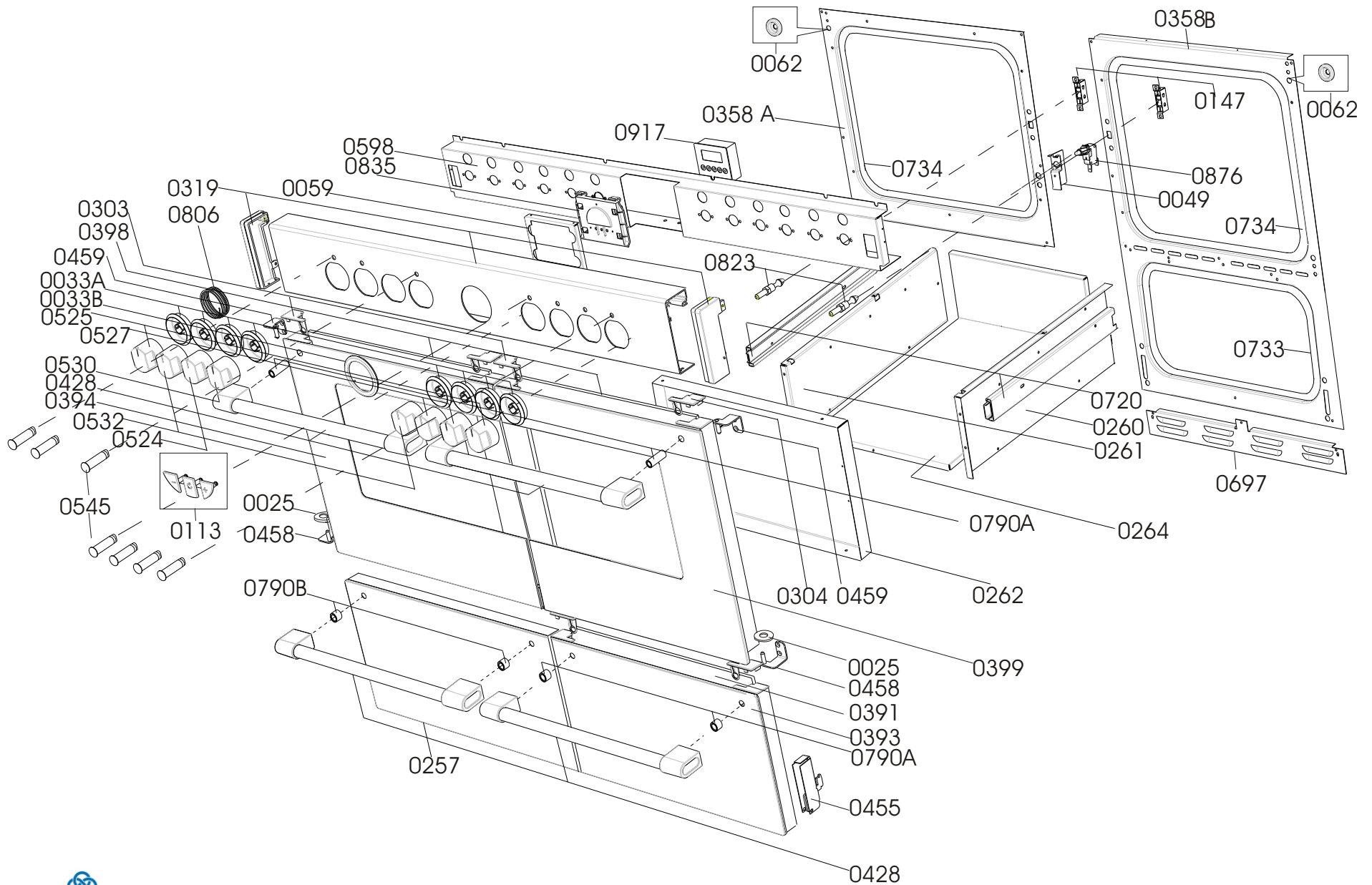
Key	Product	Product Description	TCO	Replace	Date	Qty
A025	081050400	BEARING washer 13000KSF KB				1
A025	081050400	BEARING washer 13000KSF KB				1
A180	080181345	CLIP phial/probe				2
A180	080181345	CLIP phial/probe				2
A358	602816903	FRONTFRAME pristine 550 invert				1
A358	602800202	FRONTFRAME pristine 550 lh				1
A598	502813505	PANEL inner facia 110df				1
A604	502830305	PANEL rear service 110 rh df				1
A604	502830309	PANEL rear service 110 lh df				1
A668	502838300	PLATE blanking				1
A685	081117900	PLATE tapping				2
A685	081117900	PLATE tapping				2
A713	502425100	RETAINER insulation main oven				1
A713	502425100	RETAINER insulation main oven				1
A769	532254670	SIDEFRAME assy lh 500/550si				1
A769	532254676	SIDEFRAME assy lh 500/550si				1
A770	532254671	SIDEFRAME assy rh 500/550si				1
A812	501829309	STIFFENER STRUT				1
A812	501829309	STIFFENER STRUT				1
A827	602826700	STRIP JOINTING front(pristine)				1
A929	502837600	TRANSOM				2
A938	502819201	TRAY intermediate 550 elec				1
A938	502819201	TRAY intermediate 550 elec				1
0017	082819500	BADGE stoves (65mmx26mm)				1
0033	082585900	BEZEL control knob Sta				8
0033	082586100	BEZEL timer s/stl effect				1
0040	081793100	BLOCK terminal 4 WAY(PA32/1062)				2
0040	082325800	BLOCK terminal				1
0049	502580300	BRACKET grill door switch				1
0051	082057901	BRACKET stability				1
0051	082057901	BRACKET stability				1
0059	502815500	BRACKET timer support				1
0062	081557600	BUFFER door hard 4000				4
0062	081557600	BUFFER door hard 4000				4
0113	082585602	BUTTON timer rh s/stl effect				1
0113	082585601	BUTTON timer ctr s/stl effect				1
0113	082585600	BUTTON timer lh s/stl effect				1
0147	082533800	CATCH roller (nylon)				1
0147	082533800	CATCH roller (nylon)				1
0182	082101600	CLIP tubular				2
0182	082101600	CLIP tubular				2
0193	081273002	CONNECTOR 3 way PA 32/1457				1
0206	531805900	COVER assy flue duct				2
0207	562802005	COVER plinth inner 1100 Bk				1
0207	502895804	COVER plinth outer 1100 Sta				1
0208	502370000	COVER electrics fan leads				1
0208	502370000	COVER electrics fan leads				1
0209	602129306	COVER element grill pristine				1

0210	602598705	COVER fan pristine				1
0210	602598705	COVER fan pristine				1
0247	012899054	DOOR assy ovn gls rh(glued)sta				1
0248	012899050	DOOR assy ovn gls lh(glued)sta				1
0257	012899060	DRAWER front assy (glued) sta				1
0260	562594700	DRAWER side rh blk				1
0261	562594701	DRAWER side lh blk				1
0262	562594802	DRAWER front inner 550 blk				1
0286	082230600	ELEMENT base KB				1
0286	082354202	ELEMENT base slow cook 160w				1
0287	081561404	ELEMENT grill dual 2.9kw				1
0289	082840802	ELEMENT Ceramic hp large 240v				1
0294	081561600	ELEMENT oven fan (2.5kw) KB				1
0294	081561600	ELEMENT oven fan (2.5kw) KB				1
0296	082807300	ELEMENT 110W warming zone				1
0297	082840800	ELEMENT Ceramic dia 140				1
0303	082557900	END CAP LH door ext Blk				1
0303	082557900	END CAP LH door ext Blk				1
0304	082557901	END CAP RH door ext Blk				1
0304	082557901	END CAP RH door ext Blk				1
0304	082557901	END CAP RH door ext Blk				1
0304	082557901	END CAP RH door ext Blk				1
0304	082557901	END CAP RH door ext Blk				1
0314	082233400	FAN cooling DP203A-2123LST-C31				1
0314	082233400	FAN cooling DP203A-2123LST-C31				1
0315	082868400	FAN oven circulation				1
0315	082868400	FAN oven circulation				1
0319	012586235	FACIA assy C1100E Sta				1
0349	081830501	FOOT levelling long				2
0349	081830501	FOOT levelling long				2
0363	012899064	STORAGE door assy (glued) sta				1
0391	082578603	GLASS inner door				1
0398	082911311	GLASS inner main oven				1
0398	082911311	GLASS inner main oven				1
0411	082517700	GRILL PAN (vit enamel) Blk				1
0411	082517700	GRILL PAN (vit enamel) Blk				1
0412	082469100	GRIP handle grill pan				1
0417	081367370	GROMMET h/r rb 64 santoprene				1
0417	081367370	GROMMET h/r rb 64 santoprene				1
0418	082340500	GUARD fan REF FG12				1
0418	082340500	GUARD fan REF FG12				1
0420	082917304	GUIDE shelf large lh				1
0420	082917304	GUIDE shelf large lh				1
0421	082917305	GUIDE shelf large rh				1
0421	082917305	GUIDE shelf large rh				1
0424	082731800	HANDBOOK Sterling 1100e-au				1
0427	082283705	HANDLE grill pan				1
0428	012816303	HANDLE assy 458crs Sta				1
0428	012816303	HANDLE assy 458crs Sta				1
0428	012816303	HANDLE assy 458crs Sta				1
0428	012816303	HANDLE assy 458crs Sta				1
0442	082830600	HARNESS oven lamp 304746				4
0455	082560801	HINGE tov/grill NS P3036IO				2
0458	081793800	HINGE bottom door KB				1
0458	081793800	HINGE bottom door KB				1
0459	081793801	HINGE top KB				1

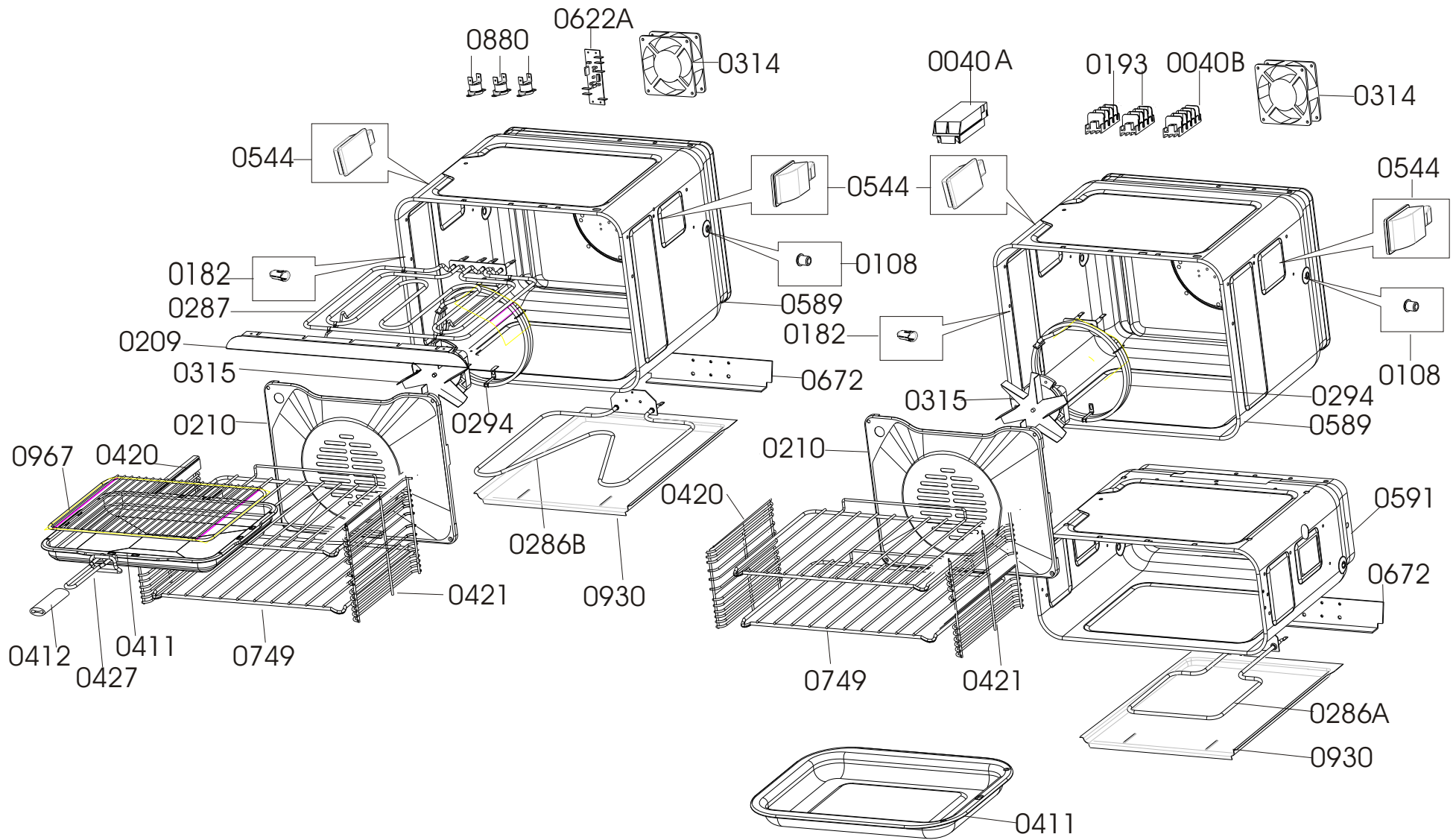
0459	081793801	HINGE top KB				1
0472	032843700	HOTPLATE assy (complete) 1100	####			1
0473	012874600	HOTPLATE glass assy 1100				1
0488	082599601	INDUCTION unit (cable 750)				2
0509	082599900	INSULATION induction unit				2
0509	082807200	INSULATION PAD warming element				1
0510	082455600	INSULATION main oven wrap elec				1
0510	082455600	INSULATION main oven wrap elec				1
0517	082553704	INSULATION main oven back				1
0517	082553704	INSULATION main oven back				1
0524	082585803	KNOB elec mf selector Sta				1
0525	082585805	KNOB elec warmer Sta				2
0527	082585814	KNOB hotplate electric sta				2
0530	082585804	KNOB elec grill Sta				1
0532	082585802	KNOB elec thermostat Sta				1
0532	082585812	KNOB thermostat fanned sta				1
0544	081548300	LAMP OVEN				2
0544	081548300	LAMP OVEN				2
0545	082816701	LENS neon				7
0555	082130200	LOCATOR sideframes 011 KB				2
0557	082044000	LOCKNUT foot				2
0557	082044000	LOCKNUT foot				2
0562	082268206	MAT (463X477)				1
0574	082816700	NEON lamp assy				7
0585	561776724	OUTERSIDE lh 1000G Blk				2
0589	612518933	OVEN cavity (pristine)				1
0589	612518934	OVEN cavity assy (pristine)				1
0591	612803022	OVEN cavity assy grill 550				1
0622	082814400	PCB fan control				1
0622	082599500	PCB touch control 600TCI				1
0625	082598200	PIN induction unit				6
0637	082554400	VENT TUBE				1
0637	082554400	VENT TUBE				1
0665	502599300	PLATE touch control 600TCI				1
0672	502293400	PLATE element				1
0680	502392903	PLATE rear joint				1
0697	562044129	PLINTH front Blk				1
0697	562044129	PLINTH front Blk				1
0705	082590800	REGULATOR energy MP V01SV				2
0705	082590900	REGULATOR energy MPA-V02SV				1
0716	082065700	ROD pushrod 040 KB				1
0716	082065700	ROD pushrod 040 KB				1
0720	082254801	RUNNER drawer (400mm)				2
0728	080215654	SCREW m4x20 pp mc				4
0728	080215654	SCREW m4x20 pp mc				4
0728	080180676	SCREW m6x30 pp mc				2
0728	080180676	SCREW m6x30 pp mc				2
0728	080180676	SCREW m6x30 pp mc				2
0730	082839503	SEAL hotplate/facia				0.5
0733	081797201	SEAL grill KB				1.2
0734	082501400	SEAL oven 50m roll				1.4
0734	082501400	SEAL oven 50m roll				1.4
0749	082917403	SHELF main oven 452 wide				2
0749	082917403	SHELF main oven 452 wide				2
0754	502398800	SHIELD wiring				1

0790	082828800	SPACER handle 14mm long				2
0790	082828800	SPACER handle 14mm long				2
0790	082828800	SPACER handle 14mm long				2
0790	082828800	SPACER handle 14mm long				2
0791	082554300	SPACER oven fan				3
0791	082554300	SPACER oven fan				3
0803	082157501	SPRING element				4
0803	082599700	SPRING induction unit				6
0806	081511001	SPRING COMPRESSION CONTROL BZ				8
0806	082599800	SPRING touch control				4
0816	501835601	STOP grill switch lever				2
0823	082494402	STRIKER door (silver)				1
0823	082494402	STRIKER door (silver)				1
0835	082569001	SUPPORT timer round lens				1
0835	082572200	HINGE COUNTER SUPPORT				2
0846	502806900	SUPPORT warming element				1
0858	502101910	SUPPORT drawer runner				2
0876	082558101	SWITCH rotary oven42.02400.008				1
0876	082578200	SWITCH door ROLD				1
0876	082558100	SWITCH rotary EGO 42.03000.017				1
0877	081811500	SWITCH control 6 heat WP				2
0877	082348400	SWITCH selector 42.00000.024				1
0880	081545403	SWITCH thermal cut-out 150c				2
0880	082808901	SWITCH thermal L100c				1
0912	082558001	THERMOSTAT EGO 55.17069.090				2
0917	082595701	TIMER programmer LED143/001				1
0930	501590200	TRAY element				1
0930	501590200	TRAY element				1
0932	502816200	TRAY element support				1
0959	502586607	TRIM vent grill 1100 Sta				1
0967	082518800	TRIVET grill pan				1
0991	030116310	WHEEL ASSY				1
0991	030116310	WHEEL ASSY				1

ELECTRIC RANGE DOOR CUPBOARD DRAW, FACIA ASSEMBLY.



ELECTRIC RANGE CAVITY ASSEMBLY.



ELECTRIC RANGE HOTPLATE ASSEMBLY.

